

Reg. No.:

--	--	--	--	--	--	--	--	--	--	--	--	--	--	--

Question Paper Code: R1709

B.E./B.Tech. DEGREE EXAMINATION, NOV/DEC 2024

First Semester

Computer Science and Engineering

R21UME109–ENGINEERING GRAPHICS

(Common to EEE, ECE, MECH,IT, Chemical, AGRI, CSE(SC) &

CSE (IoT) branches)

(Regulations R2021)

Duration: Three hours

Maximum: 100 Marks

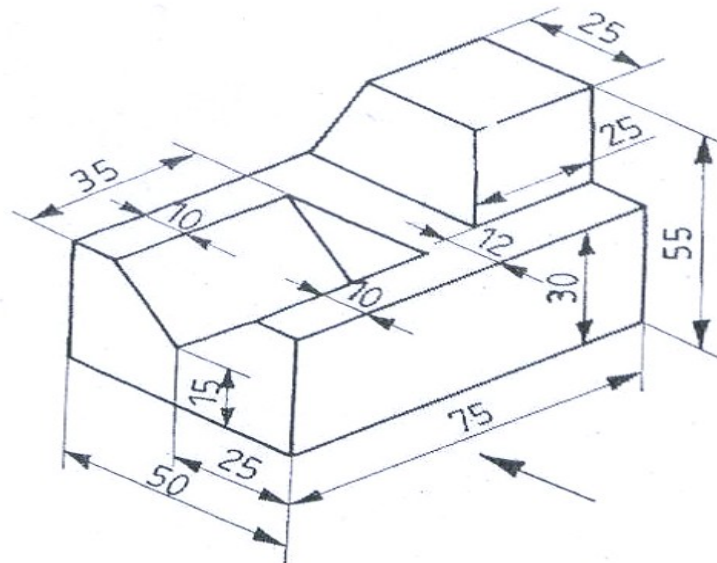
PART A- (5x20 =100 Marks)

Answer All Questions

1. (a) A Cylinder of diameter 40 mm and height 60 mm is resting on ground on a base. It is then tilted such that its axis makes an angle of 40° with HP and parallel to VP. Draw the Projections. CO2-App (20)
Or
(b) A Cone of base diameter 45 mm, axis length 70 mm is resting on HP on one of its base points with its axis inclined at 40° to HP and parallel to VP. Draw the Projections. CO2-App (20)
2. (a) A square pyramid of base 30mm and height 55mm long rests with its base on HP such that two of the edges equally inclined to VP. It is cut by a section plane perpendicular to VP, inclined at 45° to HP and passing through the axis 25 mm from the apex. Draw the elevation, sectional plan and the true shape of section. CO2-App (20)
Or
(b) A triangular pyramid of side 40mm and axis 60mm long resting on HP with one of the edges is perpendicular to VP. It is cut by a sectional plane perpendicular to VP and inclined at 45° to HP and passing through the axis 30 mm from the vertex. Draw the sectional Top view, Front view and true shape of the section. CO2-App (20)

R1709

3. (a) A triangular prism of base side 40 mm and height of 70 mm, sectioned by a plane, bisecting the axis of the prism and inclined at 35° to HP. Draw the lateral surface of the development. CO3-App (20)
- Or
- (b) A cone of diameter 45 mm and height 70 mm is cut by a plane perpendicular to VP and 30° to HP and bisecting the axis. Draw the development of the lateral surface of the cone. CO3-App (20)
4. (a) Draw the Isometric view of a cylinder of base 50 mm diameter and 70 mm height when it rests with its base on HP. CO4-App (20)
- Or
- (b) A Hexagonal pyramid of base side 35mm and height 70mm rests on its base on HP with two of its base edges are perpendicular to VP. It is cut by a plane perpendicular to VP and inclined at 40° to HP, meeting the axis at a point 35 mm above the base of the pyramid. Draw the isometric view of the truncated pyramid. CO4-App (20)
5. (a) Draw three views of the blocks shown pictorially in figure according to first angle projection. All dimensions are in mm. CO5-App (20)



Or

