

Reg. No. :

--	--	--	--	--	--	--	--	--	--

Question Paper Code: 44706

B.E. / B.Tech. DEGREE EXAMINATION, MAY 2018

Fourth Semester

Mechanical Engineering

14UME406 – MACHINE DRAWING

(Regulation 2014)

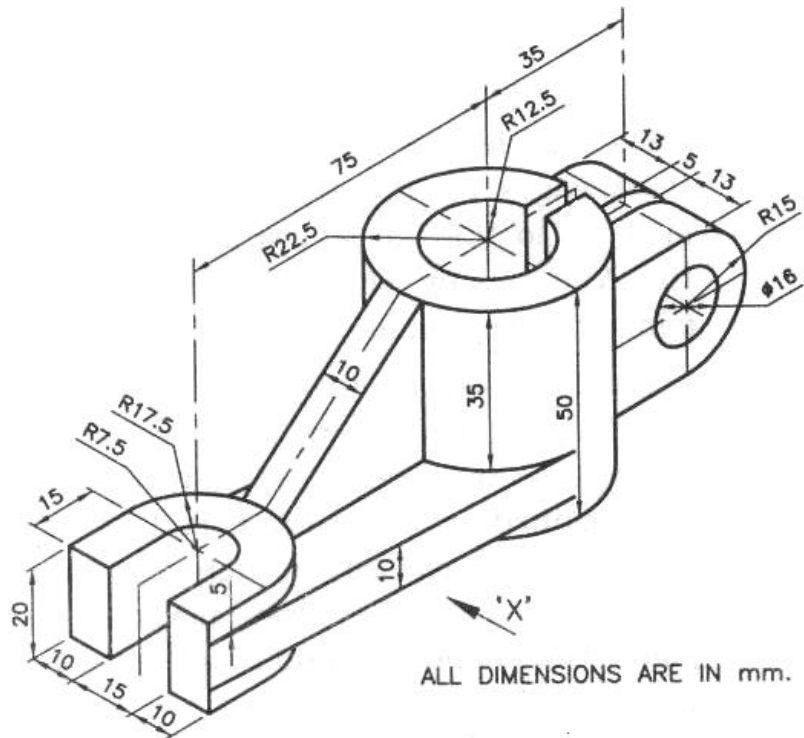
Duration: Three hours

Maximum: 100 Marks

Answer ALL Questions

PART A - (2 x 20 = 40 Marks)

1. (a) Draw the sectional front - view and top view of the object shown in figure. (20)



Or

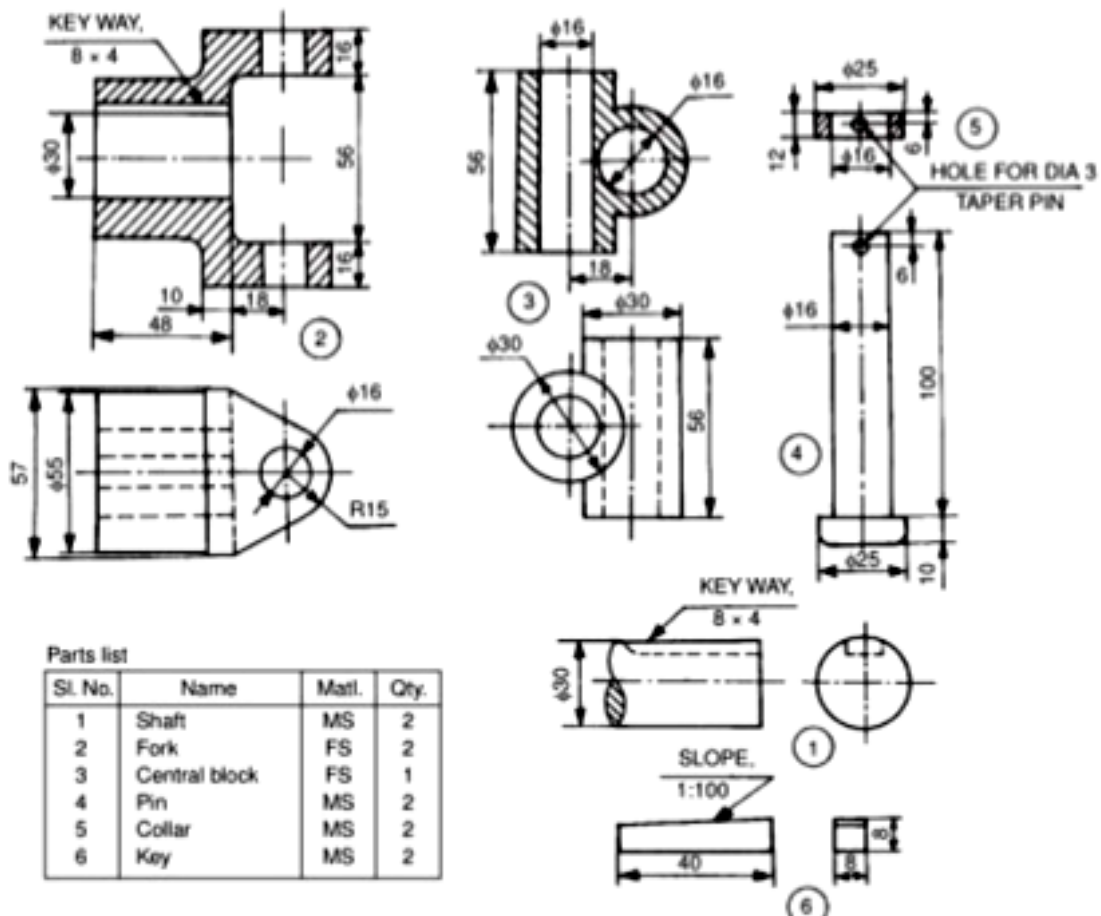
- (b) (i) Briefly discuss about the importance of tolerance allocation and differentiate unilateral and bilateral tolerances. (10)
- (ii) Explain in detail about the selection of fits with examples. (10)
2. (a) (i) State the importance of surface roughness measurement. (10)
- (ii) Explain in details about the indications of surface waviness symbols on drawings. (10)

Or

- (b) Sketch different types of threaded fasteners and state their applications. (20)

PART - B (1 x 60 = 60 Marks)

3. (a) Draw the assembled views of a universal coupling, details of which are given in figure.
- (i) Half sectional front view
- (ii) Side view (60)



Or

- (b) Assemble the parts of a Plummer block, shown in figure and draw, (i) sectional view from the front and (ii) view from above. (60)

