

Reg. No. :

--	--	--	--	--	--	--	--	--	--

Question Paper Code: 41746

B.E. / B.Tech. DEGREE EXAMINATION, NOV 2016

Fourth Semester

Mechanical Engineering

14UME406 – MACHINE DRAWING

(Regulation 2014)

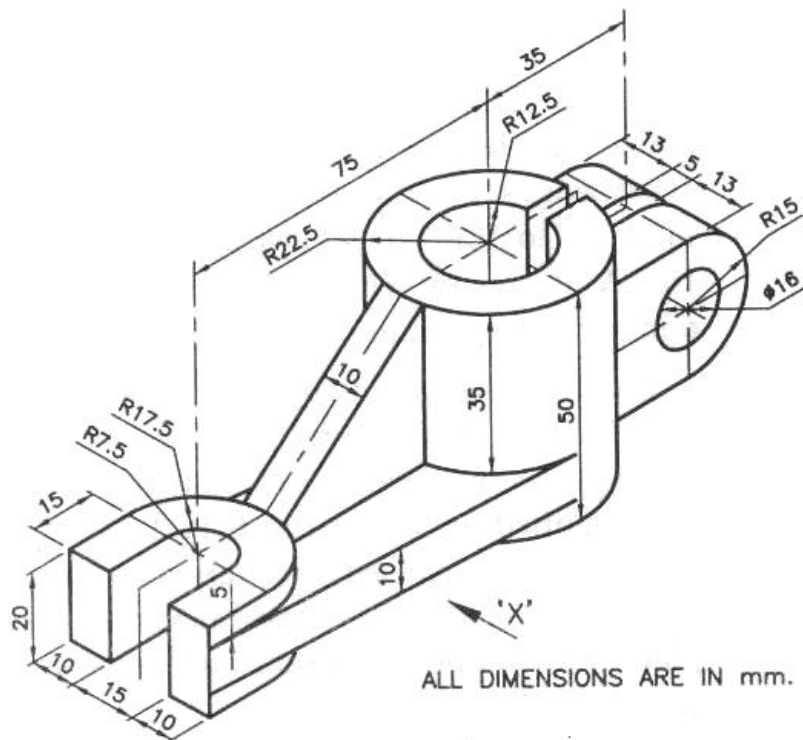
Duration: Three hours

Maximum: 100 Marks

Answer ALL Questions

PART A - (2 x 20 = 40 Marks)

1. (a) Draw the sectional front - view and top view of the object shown in figure. (20)



Or

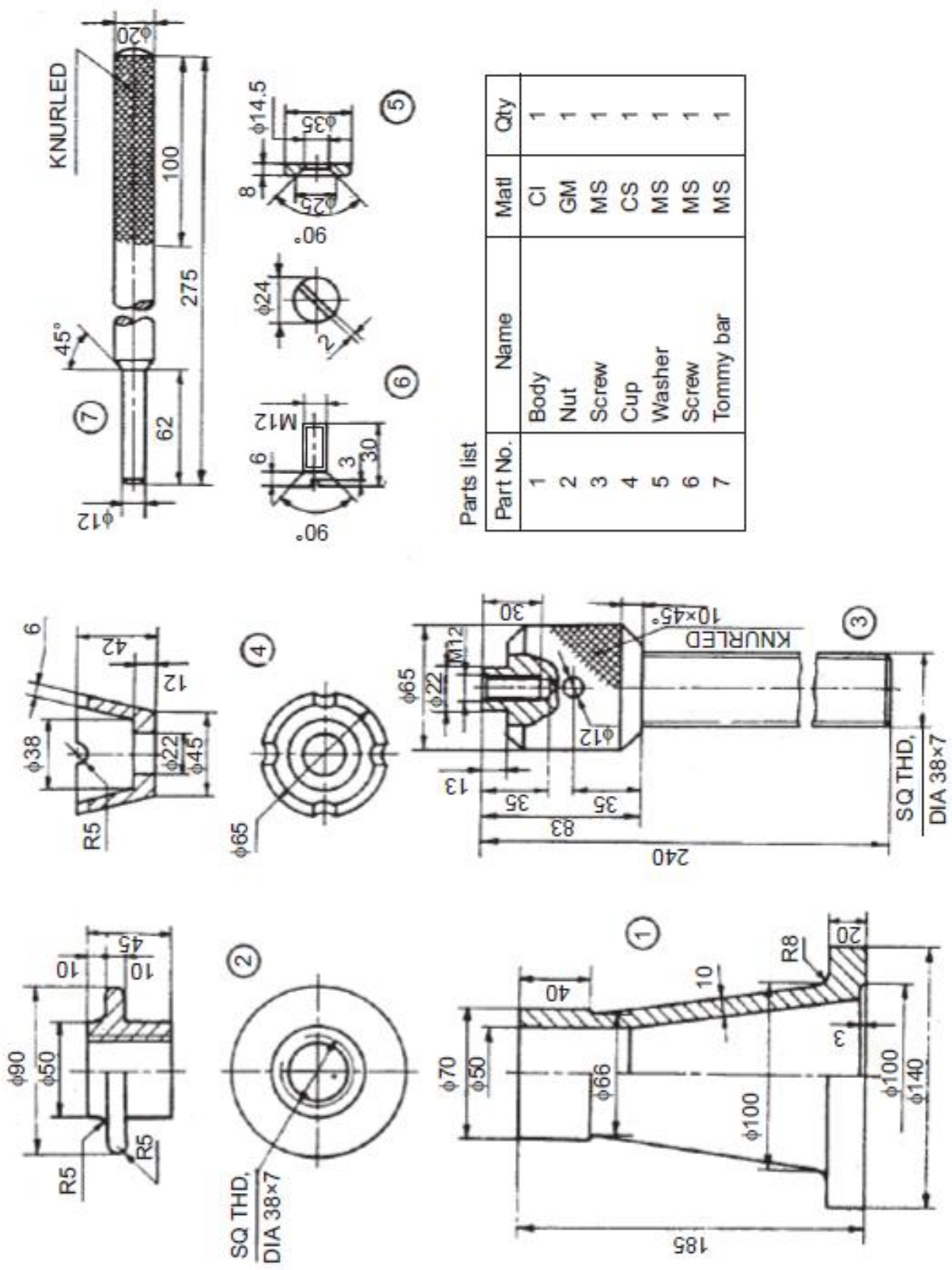
- (b) (i) Explain the basic size, deviation and tolerance of a geometrical system with a neat sketch. (10)
- (ii) Draw the graphical representation of the following geometric characteristics of the system: (a) form, (b) profile, (c) orientation, (d) location and (e) run out. (10)
2. (a) (i) Discuss briefly about the indication of special surface roughness characteristics. (10)
- (ii) Explain in details about the indications of surface roughness symbols on drawings. (10)

Or

- (b) List the different types of thread profiles and explain any four types with neat sketches. (20)

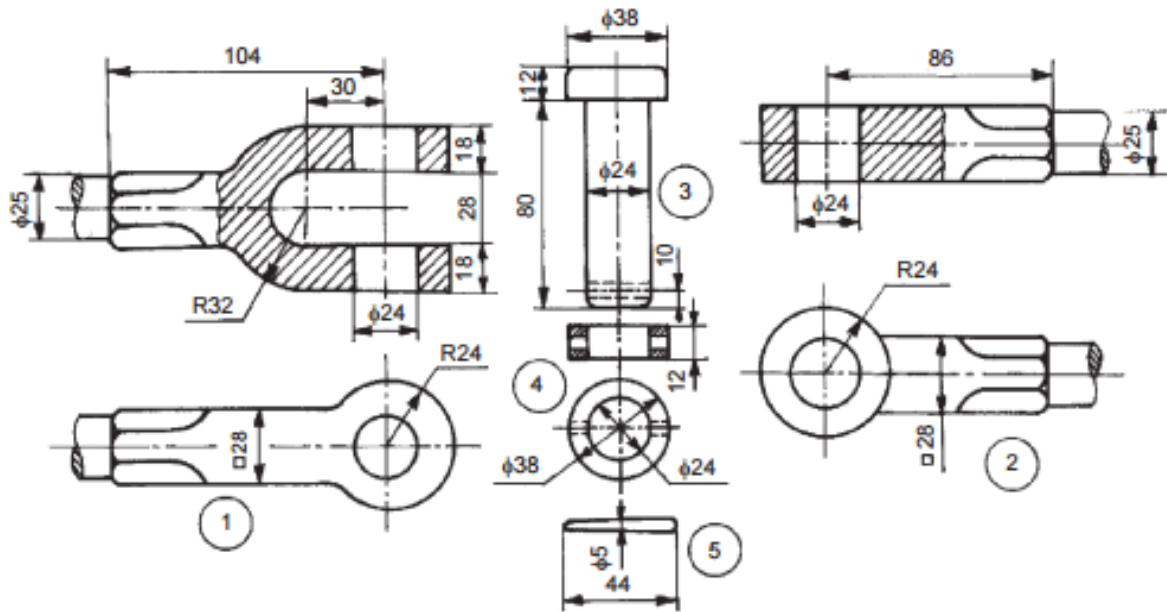
PART - B (1 x 60 = 60 Marks)

3. (a) Draw the following assembled views of a screw jack, details of which are given in figure.
- (i) Half sectional front view
- (ii) Top view (60)



Or

(b) Assemble the parts of a knuckle joint, shown in figure and draw, (i) sectional view from the front and (ii) view from above. (60)



Parts list

Sl. No.	Name	Matl.	Qty.
1	Fork end	Forged steel	1
2	Eye end	Forged steel	1
3	Pin	Mild steel	1
4	Collar	Mild steel	1
5	Taper pin	Mild steel	1