

Reg. No. :

--	--	--	--	--	--	--	--	--	--

**Question Paper Code: 41746**

B.E. / B.Tech. DEGREE EXAMINATION, MAY 2017

Fourth Semester

Mechanical Engineering

14UME406 – MACHINE DRAWING

(Regulation 2014)

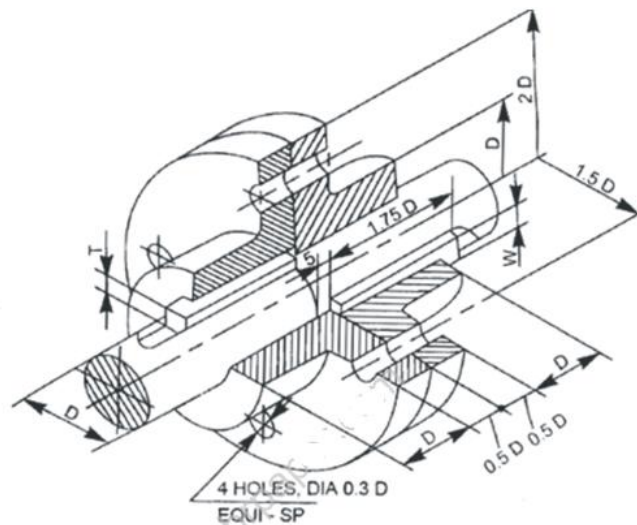
Duration: Three hours

Maximum: 100 Marks

Answer ALL Questions

PART A - (2 x 20 = 40 Marks)

1. (a) Draw the full sectional front view and side view of the flange coupling as shown in figure. (20)

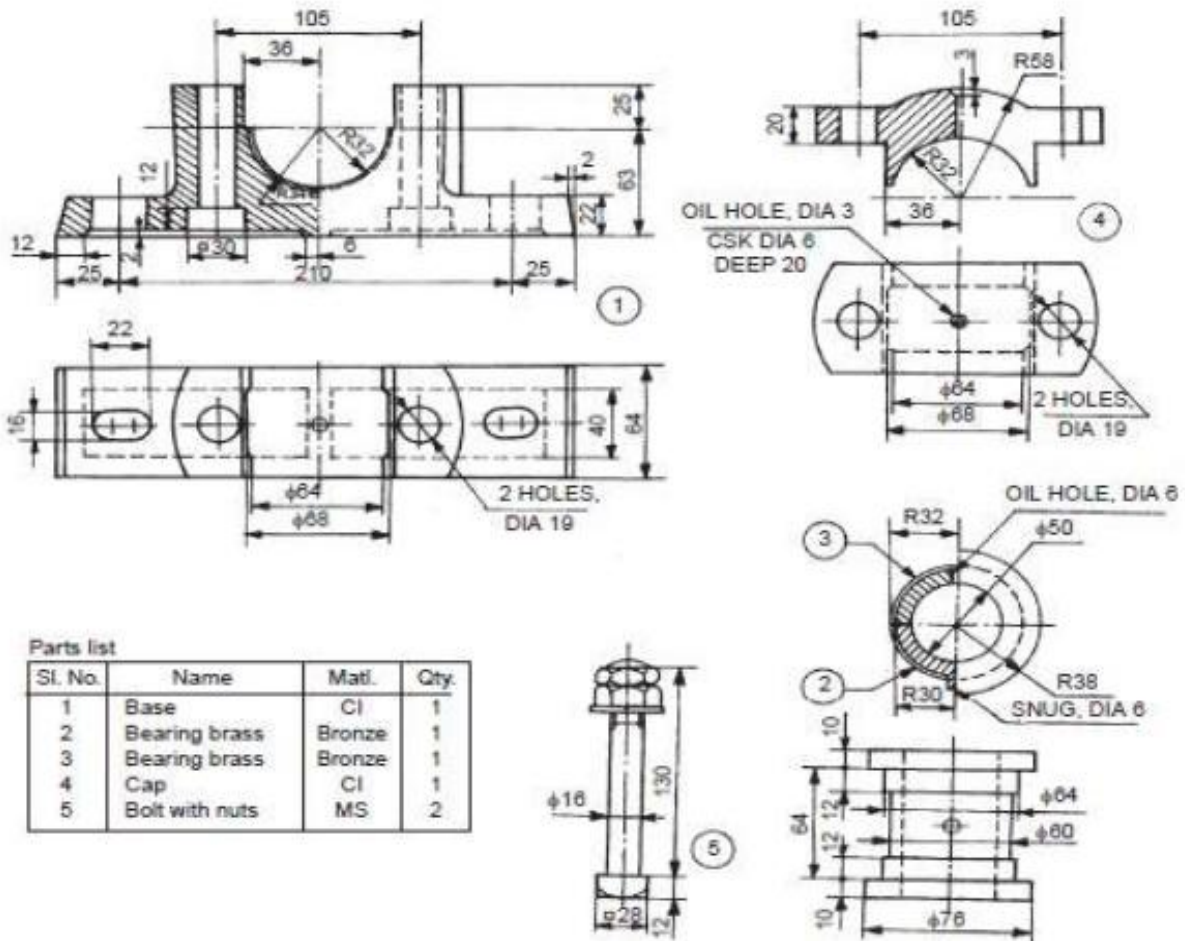


Or

- (b) (i) Briefly discuss about the importance of tolerance allocation and differentiate unilateral and bilateral tolerances. (10)
- (ii) Explain in detail about the selection of fits with examples. (10)



(b) Assemble the parts of a Plummer block, shown in figure and draw, (i) sectional view from the front and (ii) view from above. (60)



Parts list

Sl. No.	Name	Matl.	Qty.
1	Base	CI	1
2	Bearing brass	Bronze	1
3	Bearing brass	Bronze	1
4	Cap	CI	1
5	Bolt with nuts	MS	2

