

**H**

Reg. No. :

--	--	--	--	--	--	--	--	--	--	--

**Question Paper Code: 54706**

B.E. / B.Tech. DEGREE EXAMINATION, APRIL 2019

Fourth Semester

Mechanical Engineering

15UME406 - MACHINE DRAWING

(Regulation 2015)

Duration: Three hours

Maximum: 100 Marks

Answer ALL Questions

PART A - (2 x 20 = 40 Marks)

1. (a) Explain the following with free hand sketch (20)
- (a) Full section
  - (b) Half section views
  - (c) Offset section
  - (d) Revolved section

Or

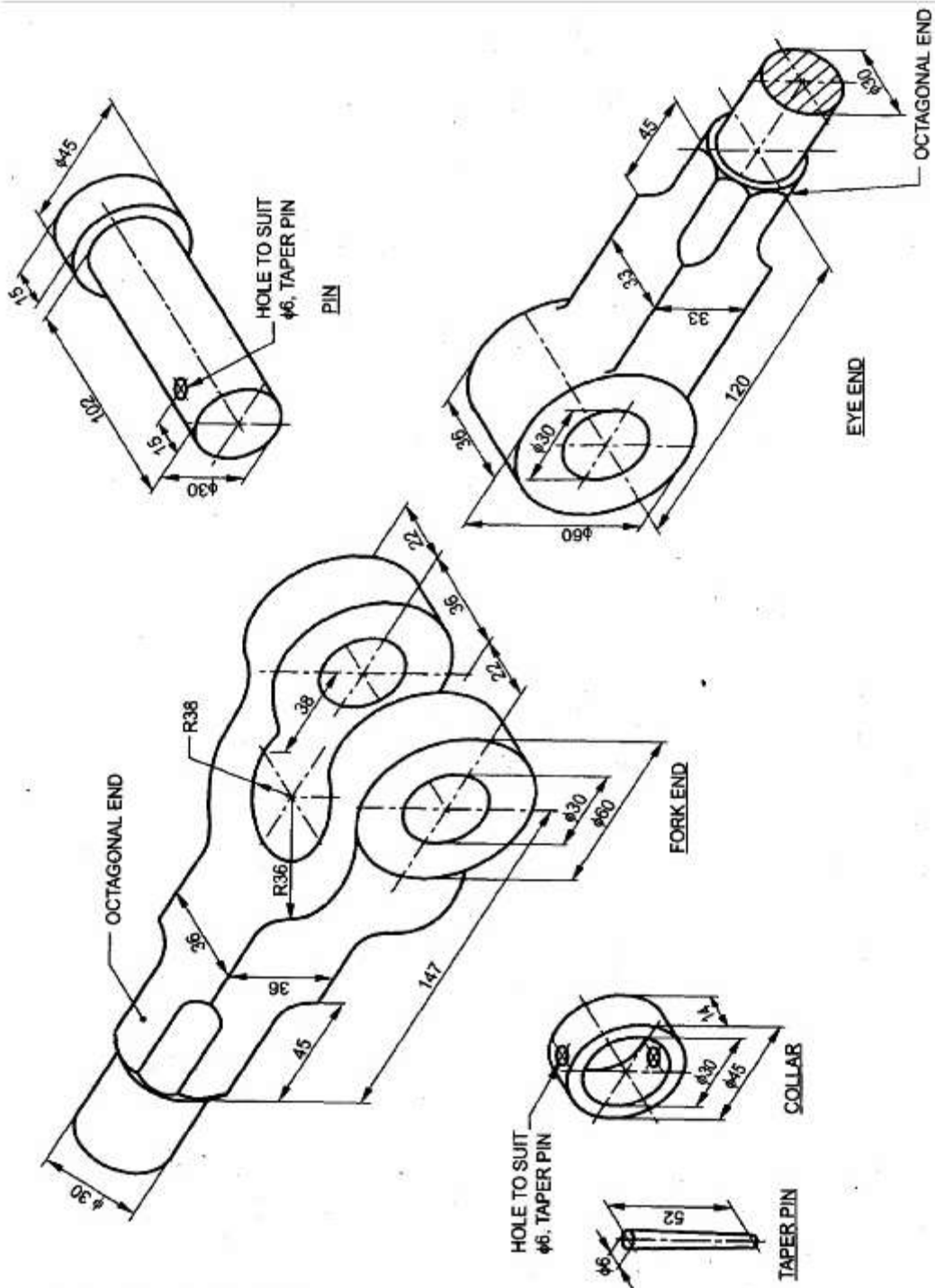
- (b) (i) Explain the geometrical tolerance with sketch. (10)
- (ii) Define Fit and compare the types of fits with examples (10)
2. (a) (i) Explain the various types of Threads with neat sketch. (12)
- (ii) Explain about Set screw and Cap screw with neat sketch. (8)

Or

- (b) (i) List the Various types of keys. Draw and Explain. (12)
- (ii) Explain the difference between roughness and waviness with neat sketch. (8)

PART B - (1x 60 = 60 Marks)

3. (a) The part detail of a Knuckle joint is shown in figure. Sketch the Full section assembled and plan view. (60)



DETAILS OF KNUCKLE JOINT

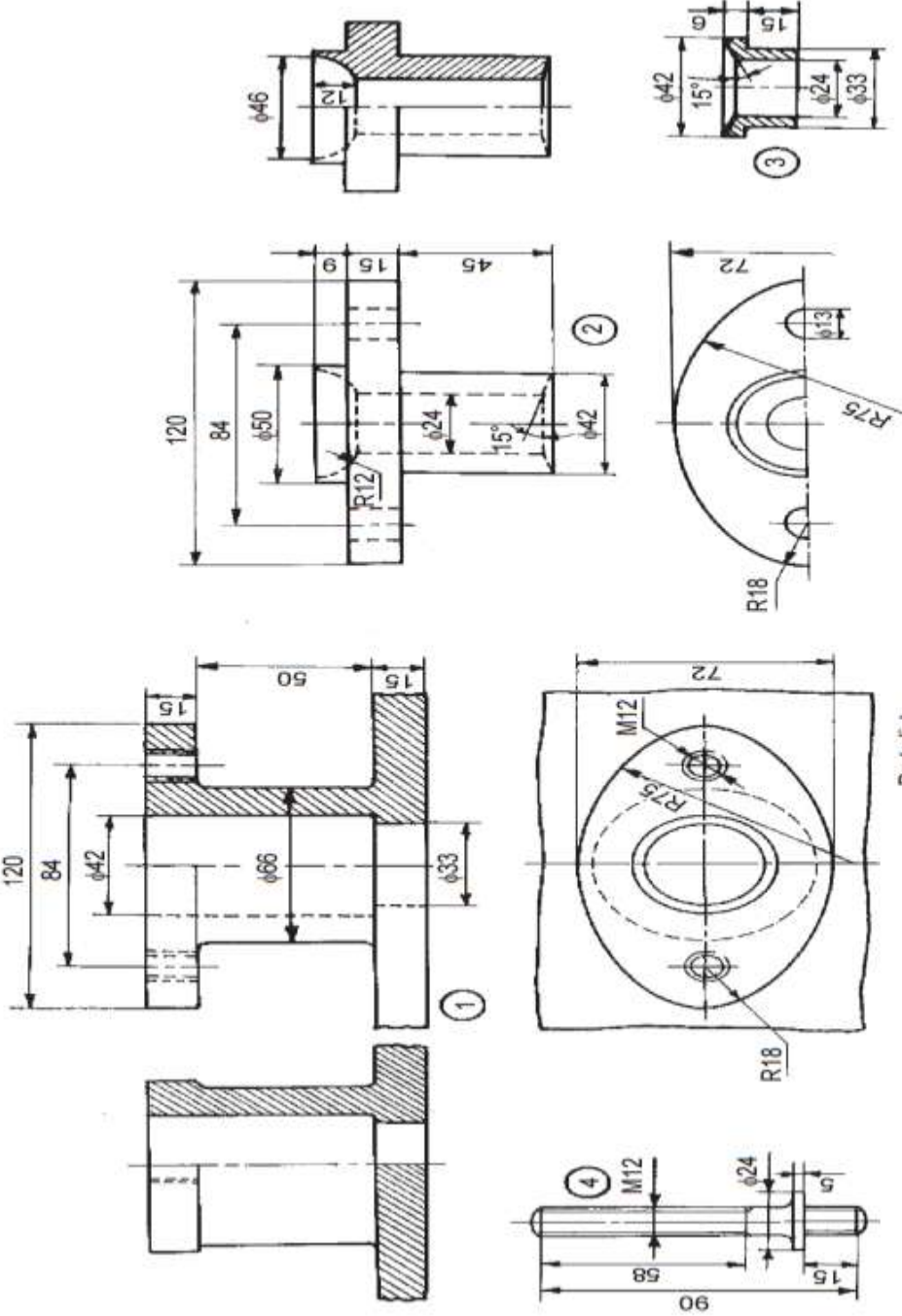
ALL DIMENSIONS IN MM.

Or

(b) Assemble the parts of the Stuffing box and draw the following views:

(60)

- (i) Full sectional Elevation
- (ii) Plan View



Parts list

Part No.	Name	Matl	Qty
1	Body	CI	1
2	Gland	Brass	1
3	Bush	Brass	1
4	Stud	MS	2
5	Nut. M12	MS	2

